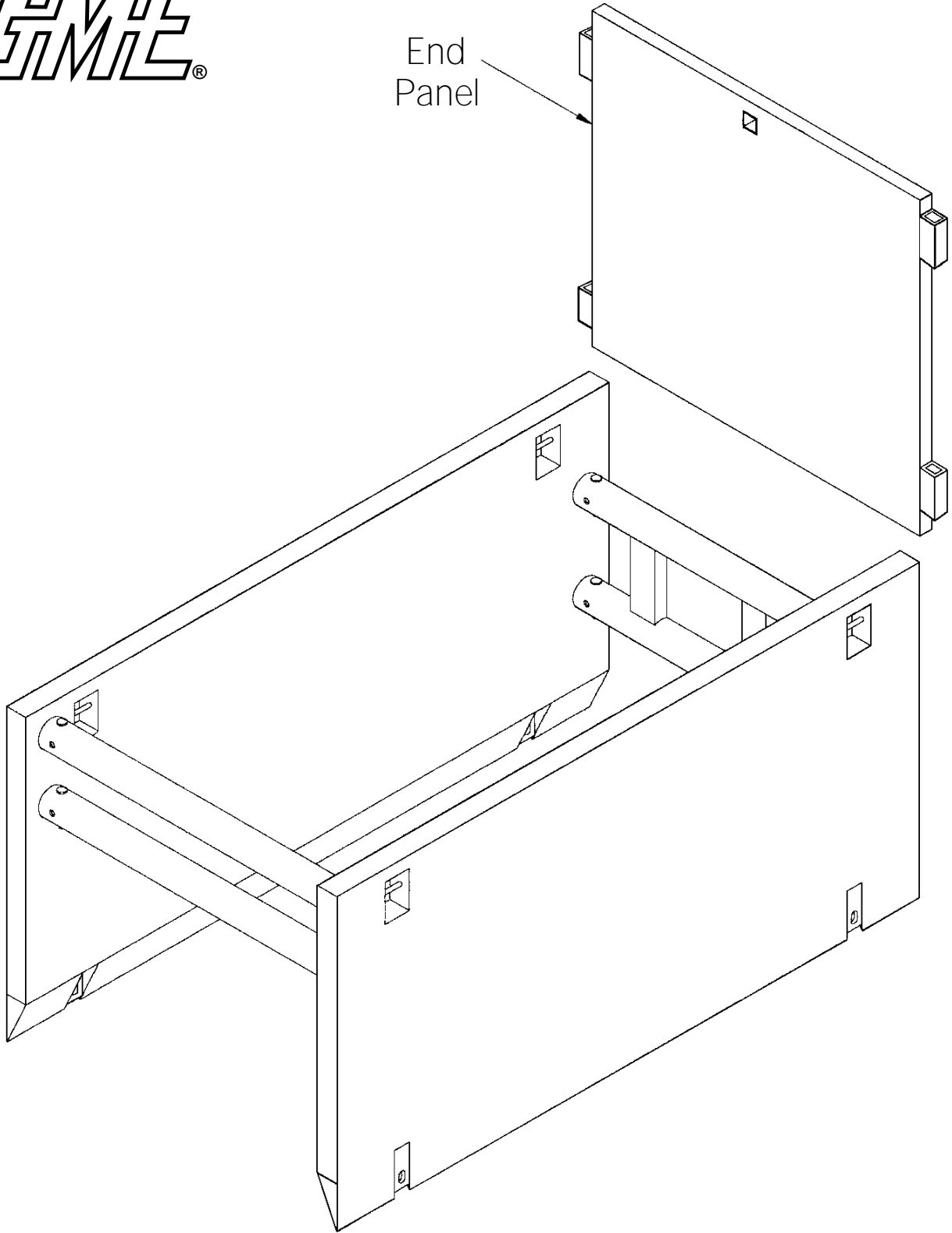


End Panel



End Panel Configuration