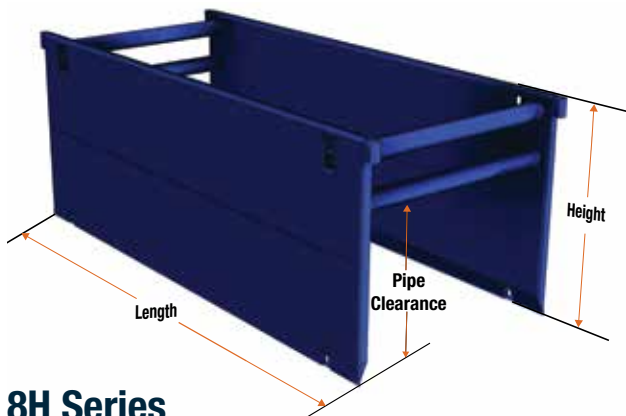


8" Wall Trench Shield

8M Series

The standard version of the 8" wall trench shields, the 8M Series is a non-rigid design with strategic reinforcements, providing workers protection on some of the most demanding job-sites. Offering users excellent depth ratings while providing exceptional vertical pipe clearance. The 8M Series can be set up in a 4- or 5-collar configuration to meet the needs of most any job-site while providing a safe and productive working environment. Ideal for use with machine over 80,000 pounds. 8M Series shields use 8DS (8" Sch 80) spreaders.



8H Series

Designed from the 8M Series, the 8H Series provides users the extra depth needed for those tough, demanding projects while not sacrificing an inch of vertical pipe clearance! Meant for use on only the toughest of job-sites, the 8H Series is designed for use with excavators in the 100,000+ pound range. 8H Series shields use 8DS (8" Sch 80) spreaders.



Model	Size		Pipe Clearance	Weight (lbs.)	Shield Cap (PSF)*	Maximum Depth per Soil Type (ft.)*			
	H	L				A	B	C-60	C-80
8M416	4'	16'	16"	5538	2729	99	63	47	36
8M420	4'	20'	16"	6578	1684	69	39	30	23
8M424	4'	24'	16"	7595	1142	48	27	21	16
8M428	4'	28'	16"	8608	825	35	20	16	12
8M430	4'	30'	16"	9114	714	31	18	14	11
8M616	6'	16'	40"	7310	2931	99	68	52	40
8M620	6'	20'	40"	8774	1809	75	43	33	26
8M624	6'	24'	40"	10199	1227	52	30	23	18
8M628	6'	28'	40"	11614	887	38	23	18	14
8M630	6'	30'	40"	12322	767	34	20	16	13
8M816	8'	16'	64"	9135	2387	99	57	44	34
8M820	8'	20'	64"	11022	1873	79	46	35	27
8M824	8'	24'	64"	12854	1270	55	32	25	20
8M828	8'	28'	64"	14673	918	41	24	19	15
8M830	8'	30'	64"	15582	794	36	22	17	14
8M1016	10'	16'	76"	10959	2109	89	52	40	31
8M1020	10'	20'	76"	13271	1687	72	42	33	26
8M1024	10'	24'	76"	15510	1296	57	34	27	21
8M1028	10'	28'	76"	17731	937	42	26	21	17
8M1030	10'	30'	76"	18842	810	37	23	19	15

Additional sizes are also available

Model	Size		Pipe Clearance	Weight (lbs.)	Shield Cap (PSF)*	Maximum Depth per Soil Type (ft.)*			
	H	L				A	B	C-60	C-80
8H416	4'	16'	16"	6161	3426	99	78	59	45
8H420	4'	20'	16"	7359	2310	94	53	41	31
8H424	4'	24'	16"	8535	1567	64	37	28	22
8H428	4'	28'	16"	9706	1132	47	27	21	16
8H430	4'	30'	16"	10291	980	41	24	18	14
8H616	6'	16'	40"	8255	3731	99	86	65	50
8H620	6'	20'	40"	9959	2496	99	58	45	34
8H624	6'	24'	40"	11623	1693	71	41	31	24
8H628	6'	28'	40"	13279	1223	52	30	23	18
8H630	6'	30'	40"	14106	1058	45	27	21	16
8H816	8'	16'	64"	10401	2387	99	57	44	34
8H820	8'	20'	64"	12610	1910	80	46	36	28
8H824	8'	24'	64"	14764	1591	68	39	31	24
8H828	8'	28'	64"	16904	1269	55	32	25	20
8H830	8'	30'	64"	17974	1098	48	28	22	18
8H1016	10'	16'	76"	12547	2371	99	58	45	35
8H1020	10'	20'	76"	15262	1897	81	47	37	29
8H1024	10'	24'	76"	17904	1581	68	40	31	25
8H1028	10'	28'	76"	20528	1297	57	34	27	21
8H1030	10'	30'	76"	21841	1122	50	30	24	19

Additional sizes are also available